

# Clearance offers!

Contact sales for latest pricing on 01553 813333



## FM Radio Aerial

### Circular FM Radio Aerial

- Omni-directional designed aerial for all strong reception areas of VHF/ FM radio
- Comes complete with clamp

Forward Gain: -3dB      Acceptance Angle: 360°  
 Front to Back Ratio: 0dB      Bandwidth: 88-108MHz

A1301



## Screened Outlet Plates

- Fully screened to maintain maximum signal quality and shields the connection from any electronic interference
- Saddle & Clamp style inputs to coaxial or 'F' type socket output
- Cable size up to CT100 can be accommodated

- H87001 VHF/UHF Coaxial Flush Outlet Plate
- H87002 Twin VHF/UHF Coaxial Flush Outlet Plate
- H87003 Satellite Flush Outlet Plate
- H87004 Twin VHF/UHF & Satellite Flush Outlet Plate



## Satellite i.O Link

Connect to a TV distribution amplifier for viewing plus IR control multiple room locations.

- Restores RF Output functionality to SKY® HD boxes with no RF Output
- DC input to power Link Amplifiers PSU Easy to use, plug and play with SKY® HD already

M7004 Satellite I.O Link



## iO Link Power Supply Unit

- Powers M7004 above
- Input: 100-240V Output: 12V

PSU/iO iO Link Power Supply Unit



## 6 Output Satellite Distribution Amplifier

- Independent attenuation control for TV/DAB/FM signals to optimise strength
- Line power on UHF input to power a Masthead Amplifier
- Professional gold plated 'F' type connectors for optimal signal transfer
- Unique, versatile dual powering option\*
- Remote digi eye compatible
- Tetra rejection filter on UHF input

Return Path Frequency: 5-30MHz  
 Pre Amp Gain: 10dB/7dB  
 Pre Amp Atten: 0-10dB  
 Distribution Amp Gain: 5dB  
 Noise Figure: 3.5dB  
 Supply Voltage Current: 12V 250mA DC  
 Line Power UHF: 12V 50mA DC

SDA6



# MAXVIEW

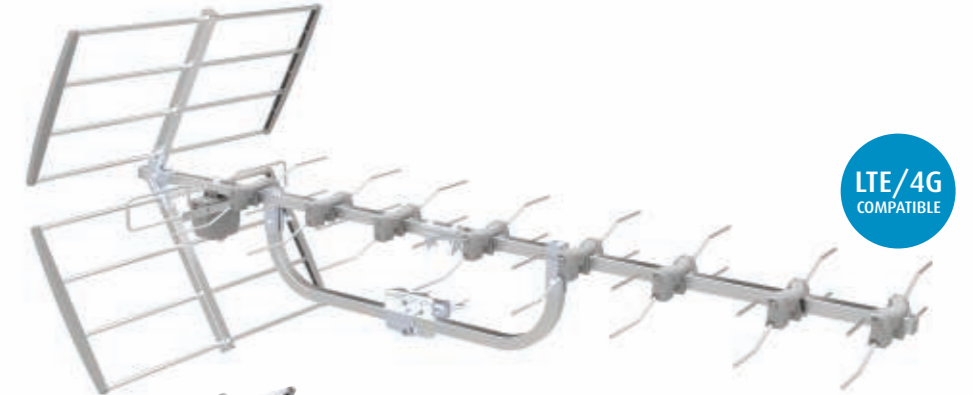
## Trade Products Catalogue

### TV Aerials

#### 42 Element High Gain TV Aerial

- Sealed 'F' connector dipole housing
- Robust 18mm boom construction
- Pre assembled for quick assembly and set up
- Light grey plastics to lessen visual impact

Group: AHG42WLTE  
 WB  
 Frequency Range: 470-790MHz  
 Forward Gain: 13dB  
 Front to Back Ratio: >20dB  
 Acceptance Angle: ±17.5°

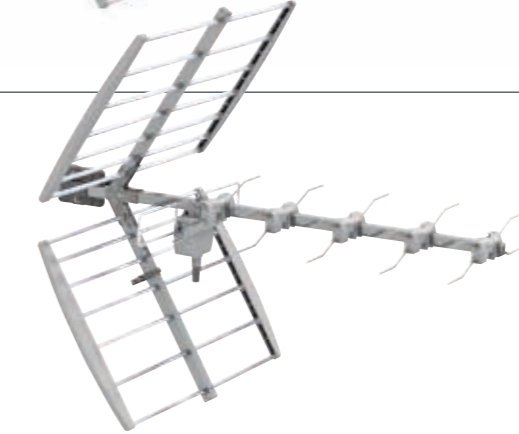


LTE/4G  
COMPATIBLE

#### 30 Element High Gain TV Aerial

- Sealed 'F' connector dipole housing
- Robust 18mm boom construction
- Pre assembled for quick assembly and set up
- Light grey plastics to lessen visual impact

Group: AHG30WLTE  
 WB  
 Frequency Range: 470-790MHz  
 Forward Gain: 11dB  
 Front to Back Ratio: >20dB  
 Acceptance Angle: ±21°



LTE/4G  
COMPATIBLE

#### 12 Element TV Aerial

- Sealed 'F' connector dipole housing
- Robust 10mm boom construction
- Pre assembled for quick assembly and set up
- Light grey plastics to lessen visual impact

Group: MX12WLTE  
 WB  
 Frequency Range: 470-790MHz  
 Forward Gain: 9-11.5dB  
 Front to Back Ratio: >17dB  
 Acceptance Angle: 23.5°

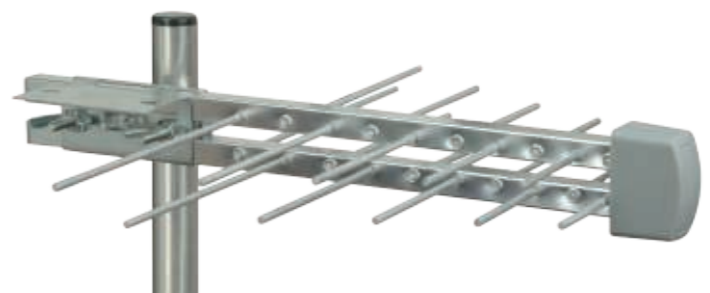


LTE/4G  
COMPATIBLE

#### 20 Element Compact Digital Log TV Aerial

- 'F' connector
- Robust 14mm boom construction
- Pre assembled for quick assembly and set up
- Light grey plastics to lessen visual impact

Group: LOG20WLTE  
 WB  
 Frequency Range: 470-790MHz  
 Gain: Up to 10dB  
 Front to Back Ratio: >15dB

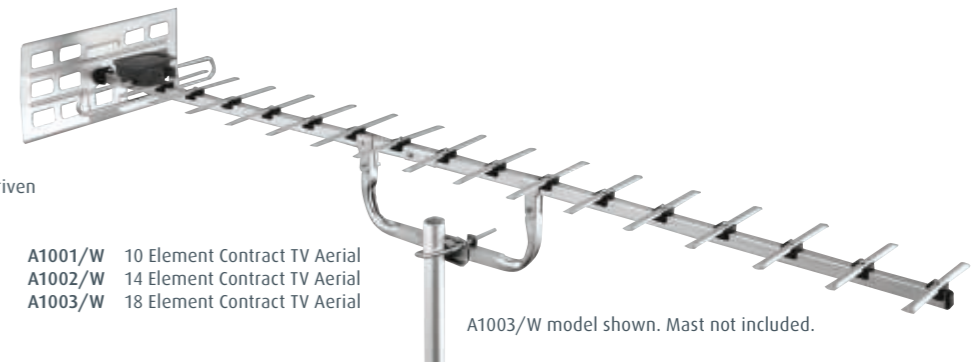


LTE/4G  
COMPATIBLE

#### 10, 14, & 18 Element Contract TV Aerials

- Manufactured from high quality corrosion resistant aluminium with radiused and flanged elements
- Compact construction results in reduce wind loading
- Waterproof insulator housing has screw terminal for easy install and connection
- Complete with a good quality tubular dipole for the driven element, aerial clamp and reflector

Group:	A1001/W	A1002/W	A1003/W	A1001/W	10 Element Contract TV Aerial
Forward Gain:	6dB	7.3dB	8.6dB	A1002/W	14 Element Contract TV Aerial
Front to Back Ratio:	20dB	22dB	18dB	A1003/W	18 Element Contract TV Aerial
Acceptance Angle:	29°	22.5°	21°		
Elements:	10	14	18		



A1003/W model shown. Mast not included.

To order contact sales: 01553 813333 or email: sales@maxview.co.uk

Maxview Ltd, Garage Lane, Setchey, King's Lynn, Norfolk. PE33 0AT  
 Maxview reserve the rights to change specifications without prior notice.

Issue 23

# Amplifiers, Masthead & Distribution

## High Gain Signal Boosters

Our range of High Gain Signal Boosters are designed to improve digital TV and FM/DAB radio signal quality in the weakest signal areas.

- Designed to be installed behind the main TV set
- Switched gain control for high or low option
- Low power consumption (<5w)
- Fitted with mains lead and plug



	HGB1	HGB3	HGB4
Gain:	18dB	13dB	10dB
Switched Gain:	6dB	6dB	6dB
Input RLR:	12dB	12dB	12dB
Noise:	21dB	23dB	>21dB
Input Powering:	230V-50Hz AC (All)		
Outputs	1	3	4

## Signal Boosters & Distributors

Our range of Plug In Signal Boosters are designed to improve digital TV and FM/DAB radio signal quality in weaker signal areas with an unobtrusive and discreet installation.

- PSB1-4**
- For installation close to or behind main TV or in a loft
  - Designed to be plugged directly into a convenient mains sockets

- PSB6 & 8**
- Ideal for signal distribution and come with mains lead and plug ideal for loft installations



	PSB1	PSB2	PSB3	PSB4	PSB6	PSB8
Gain:	12.5dB	9.5dB	9.5/6dB	6dB	6dB	7.5dB
Noise:	3.5dB	3.5dB	3.5dB	6dB	4.5dB	4.5dB
Input Powering:	230V	230V	230V	230V	230V	230V
Outputs:	1	2	3	4	6	8

Note: Some variants are now LTE/4G compatible. Please contact 01553 813333 for details.

## Masthead Amplifiers

- LTE/4G compatible
- Professional gold plated "F" type connectors for optimal signal transfer
- Variable gain control to optimise signal strength
- Fully screened enclosure
- EPDM foam cable grip
- Tetra rejection filter on UHF input
- Requires external 12V power supply

LTE/4G COMPATIBLE



	MHA26U	MHA4U/MT
Typical Gain:	8-26dB	8-20dB
Noise:	3.5dB	3.5dB
Supply Voltage		
Current:	12V 50mA DC (both)	
Connector:	'F'	'F'

MHA26U Masthead Amplifier  
MHA4U/MT Masthead Amplifier

## Masthead Power Supply Unit

- Use to power Masthead Amplifier or alternatively can be used with a Maxview (SDA6) or (DSB4/DSB8)
- Eliminates the need to add a mains socket in the loft
- Professional gold plated 'F' type connectors for optimal signal transfer
- Includes 1m power cord

Input Powering: 230V - 50Hz AC  
Output Voltage/Current: 12V/250mA DC  
Connector: 'F'

MHP1 Masthead Power Supply Unit



## Distribution Amplifiers

- Designed to be installed in the loft to distribute radio signals throughout the home
- Professional gold plated 'F' type connectors for optimal signal transfer
- Line power on UHF input to power a Masthead Amplifier
- Unique, versatile dual powering option\*
- Tetra rejection filter on UHF input

	DSB4	DSB8
Gain UHF/VHF:	13dB/7dB	11dB/4dB
Noise:	3.5dB	3.5dB
Supply Voltage		
Current:	12V 250mA DC (both)	
Line Power UHF	12V 50mA DC (both)	

DSB4 4 Output Distribution Amplifier  
DSB8 8 Output Distribution Amplifier



## Power Supply Unit

- Use to power Maxview products DSB4, DSB8 or SDA6 in a loft space

Input Powering: 230V ~ 50Hz AC  
Output Voltage/Current: 12V/300mA DC

PSU300/TRADE 12V Power Supply Unit

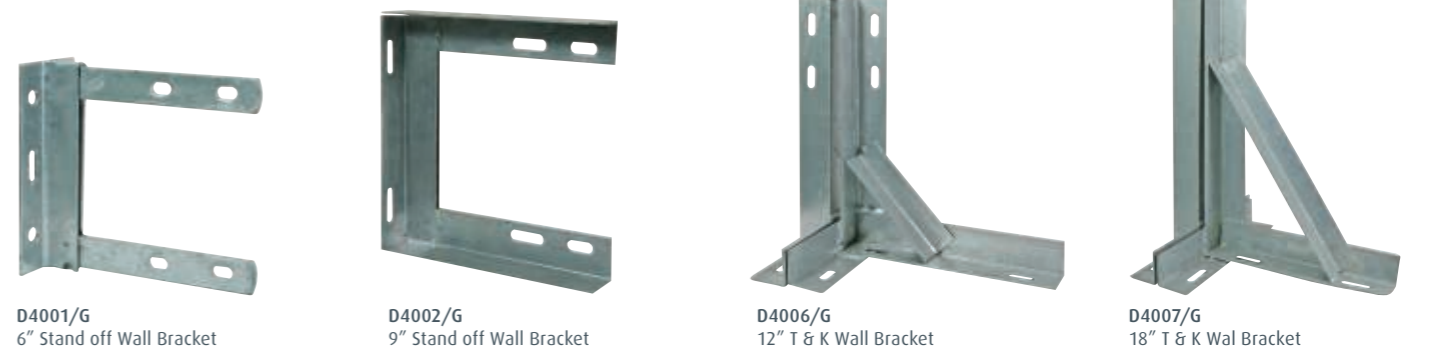
\*Dual Powering Options:

1. Loft powered - Use a 230V Power Supply Unit where mains power is available (PSU300)
2. Remote Powered. Powered through a coaxial output from a Masthead Power Supply



# Mounting Brackets, Masts & Accessories

## Wall Mounted Brackets - Galvanised



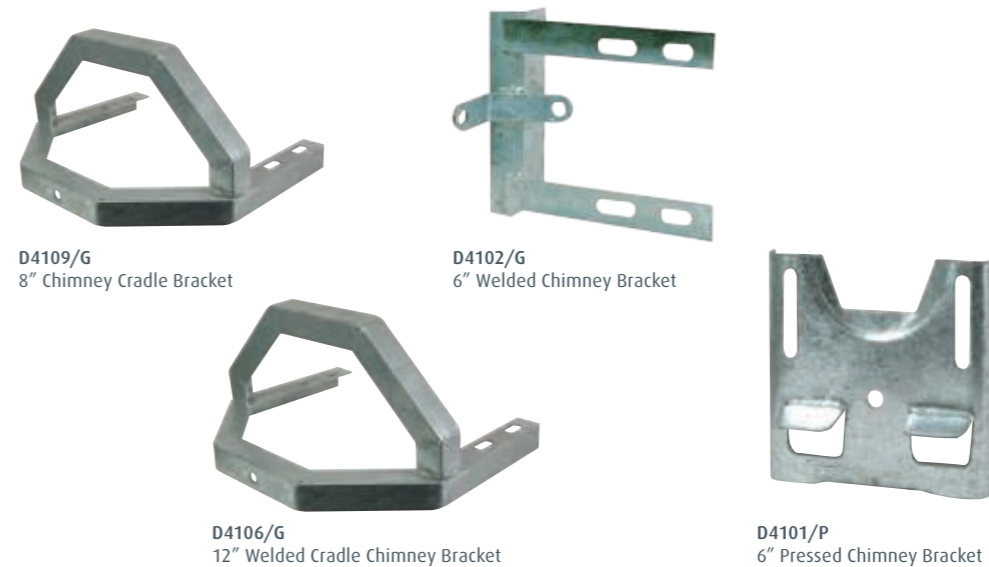
D4001/G  
6" Stand off Wall Bracket

D4002/G  
9" Stand off Wall Bracket

D4006/G  
12" T & K Wall Bracket

D4007/G  
18" T & K Wall Bracket

## Chimney & Aerial Mounting Brackets - Galvanised



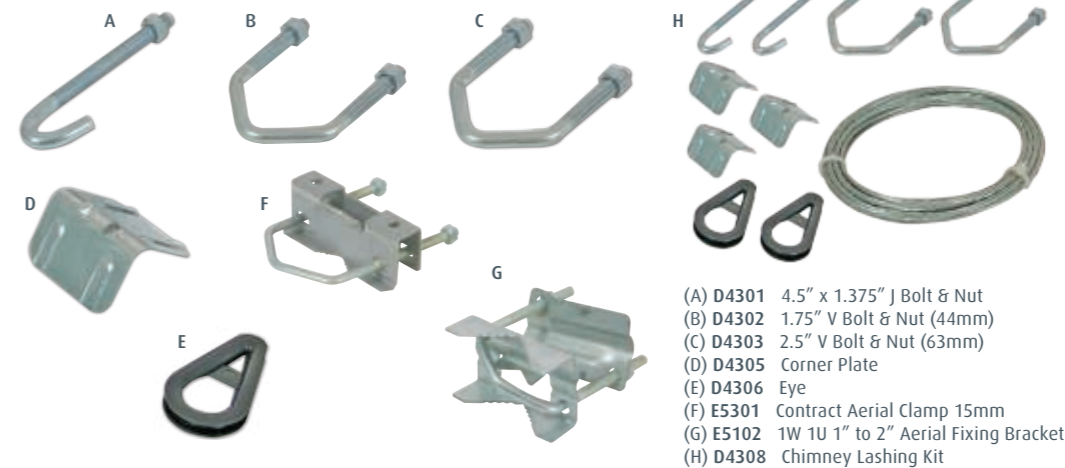
D4109/G  
8" Chimney Cradle Bracket

D4102/G  
6" Welded Chimney Bracket

D4106/G  
12" Welded Cradle Chimney Bracket

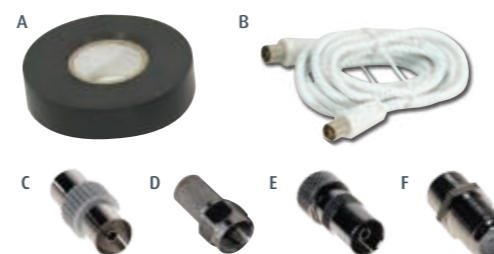
D4101/P  
6" Pressed Chimney Bracket

## Bracket Accessories



- (A) D4301 4.5" x 1.375" J Bolt & Nut
- (B) D4302 1.75" V Bolt & Nut (44mm)
- (C) D4303 2.5" V Bolt & Nut (63mm)
- (D) D4305 Corner Plate
- (E) D4306 Eye
- (F) E5301 Contract Aerial Clamp 15mm
- (G) E5102 1W 1U 1" to 2" Aerial Fixing Bracket
- (H) D4308 Chimney Lashing Kit

## Accessories



- (A) H8019 PVC Tape 19mm x 33mm
- (B) BP4021 2m Coaxial Flylead
- (C) BP4013 Back to Back Coaxial Connector
- (D) BP4015 'F' Connector (Black chromium with O Ring)
- (E) BP4016 Coaxial Connector
- (F) BP4065 'F' to 'F' Connector

## Aluminium Masts



- E5001 3ft x 1in 18swg L Crank with Fascia Bracket
- E5501/EC 3ft x 1in 18swg E Crank
- E5501/LC 3ft x 1in 18swg L Crank
- E5501/S 3ft x 1in 18swg Straight
- E5502/AC 5ft x 1in 18swg A Crank
- E5502/S 5ft x 1in 18swg Straight
- E5503/AC 6ft x 1in 18swg A Crank
- E5503/EC 6ft x 1in 18swg E Crank
- E5503/S 6ft x 1in 18swg Straight
- E5504/AC 6ft x 1 1/4in 16swg A Crank
- E5504/S 6ft x 1 1/4in 16swg Straight
- E5506 8ft x 1 1/2in 16swg Straight
- E5507 10ft x 1 1/2in 16swg Straight

Shipping restrictions apply.  
Please contact office: 01553 813333.